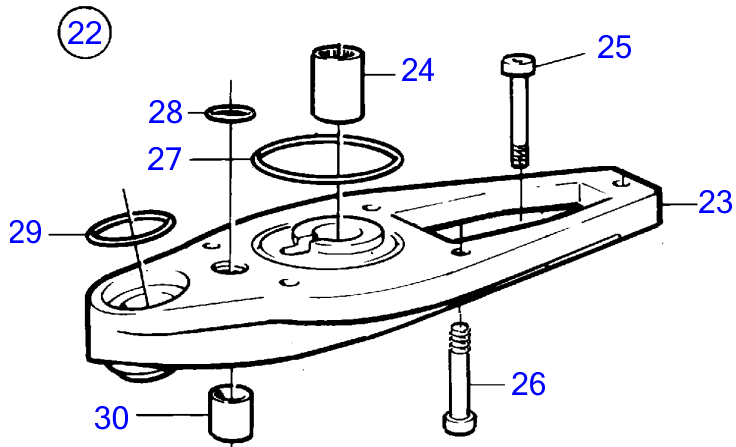
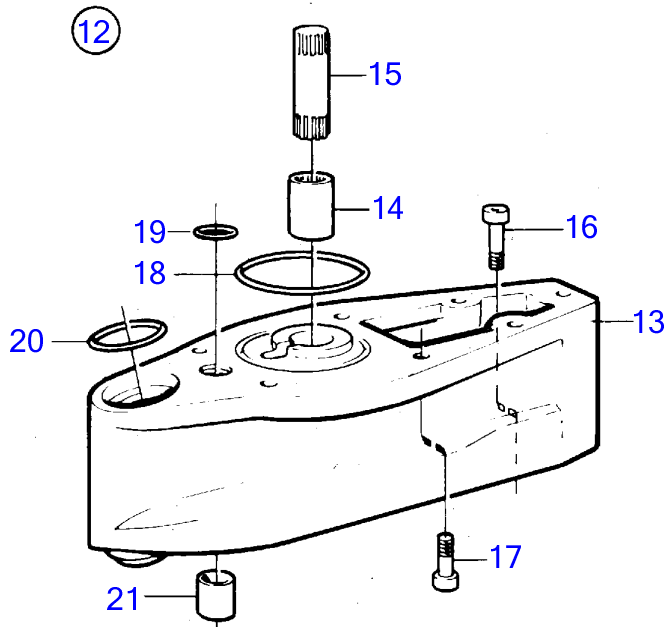
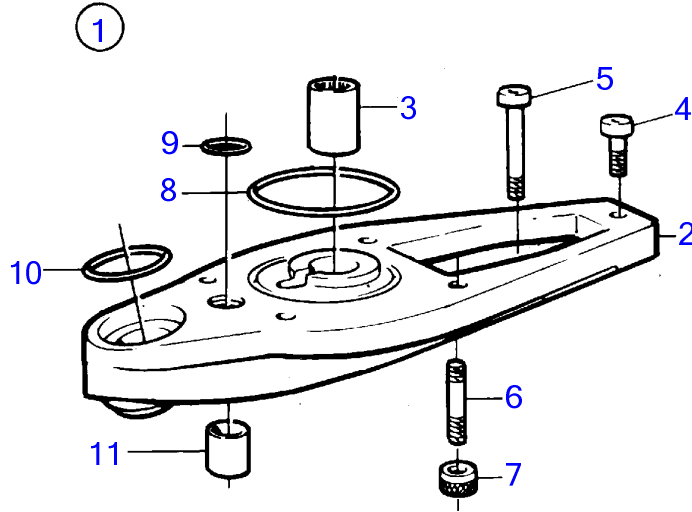


KAD42P-A, KAMD42P-A



16576

KAD42P-A, KAMD42P-A

REF	PART NO.	QTY	DESCRIPTION	NOTES
12	872090	1	Extension kit	Not for D42, D43 and D44
13	814319	1	• Intermediate section	
14	872128	1	• Splined sleeve	
15	872087	1	• Shaft	
16	941809	3	• Hex. socket screw	
17	941810	4	• Hex. socket screw	
18	925256	1	• O-ring	
19	125017	1	• O-ring	
20	941820	1	• O-ring	
21	897823	1	• Oil pipe	